



# CanoDECK™ Reference Guide

4929 61st Ave SE, Calgary, AB T2C 4R1 (403) 279-6420

[www.canocoatings.com](http://www.canocoatings.com)

## Surface Preparation & Recommendations 1

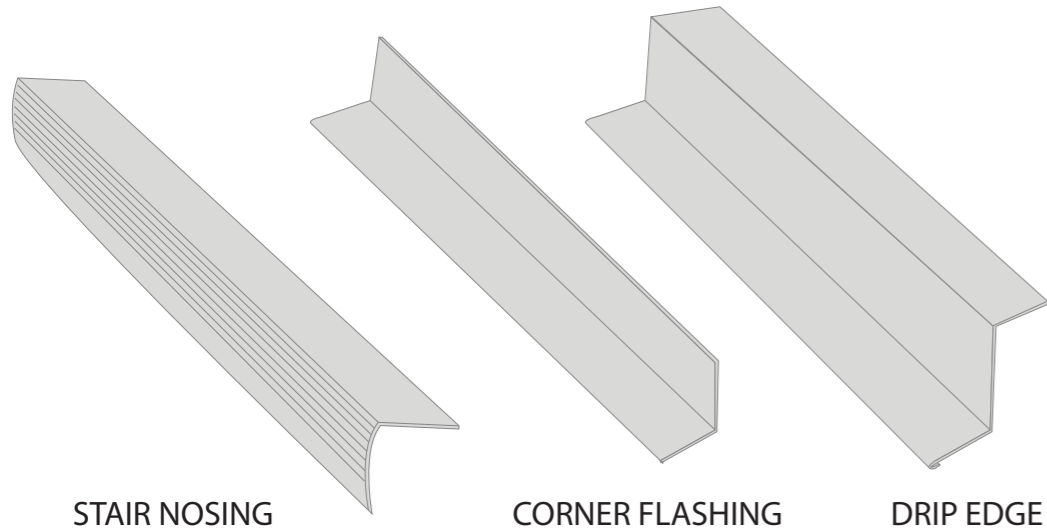
- Always work on clean dust-free surfaces (use broom or blower to remove loose material)
- Safety glasses & dust masks are recommended during preparation of substrate (sanding)
- Visually inspect surface between coats & clean / touch-up as required
- Use painters tape and drop sheets to protect adjacent finished areas
- For best results, keep trowels clean throughout application and have a bucket of water on site at all times for clean up
- Clean with deck brush and water
- This product may be disposed as a non-hazardous material
- **DO NOT** use when ambient temperature will fall below 5 degrees Celsius in a 24hr period
- **DO NOT** apply in wet weather and protect drying coats from precipitation
- **DO NOT** apply over hot surfaces exposed to direct sunlight
- **DO NOT** use pressure washer when cleaning
- **KEEP OUT OF REACH OF CHILDREN**

\* Talk to your local building supplier about CanoDECK colour selections

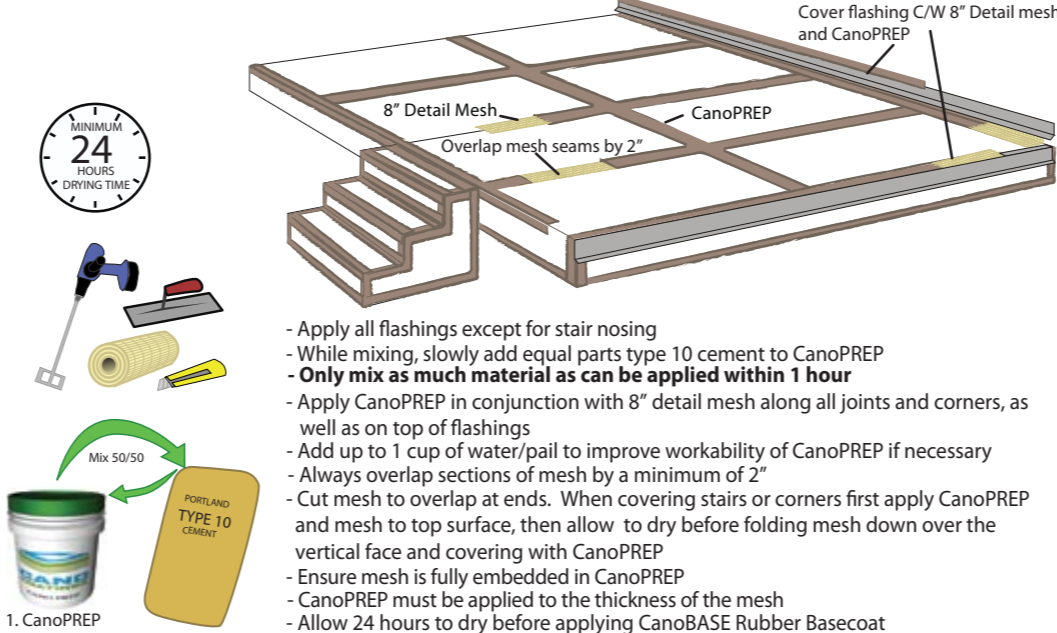
## Required Tools 2



## Flashing (Deck Prep) 3

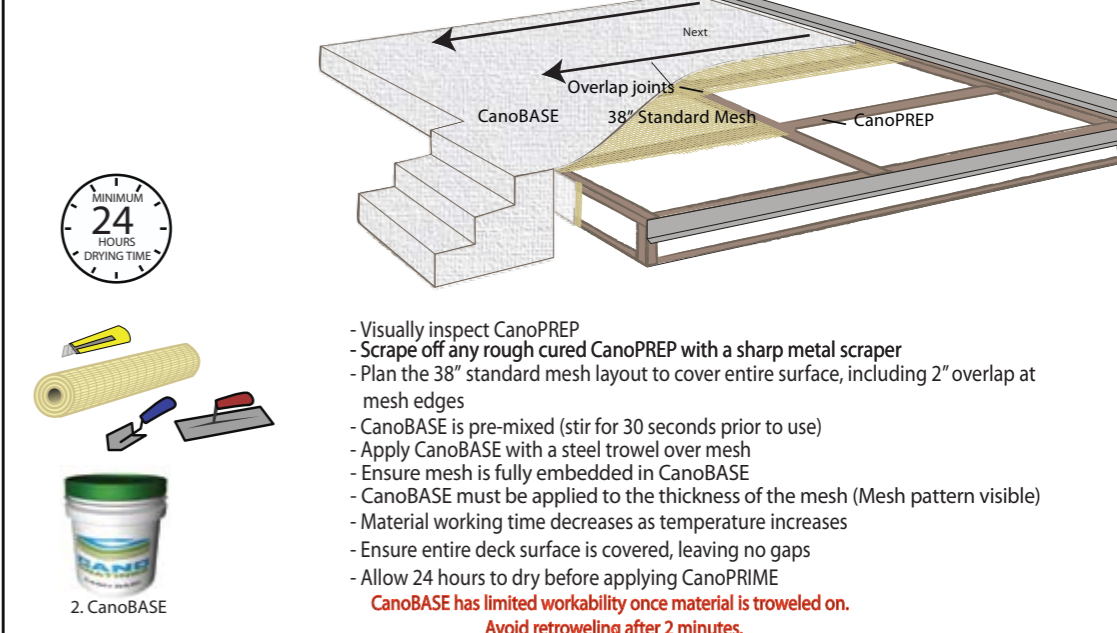


## CanoPREP Installation 4



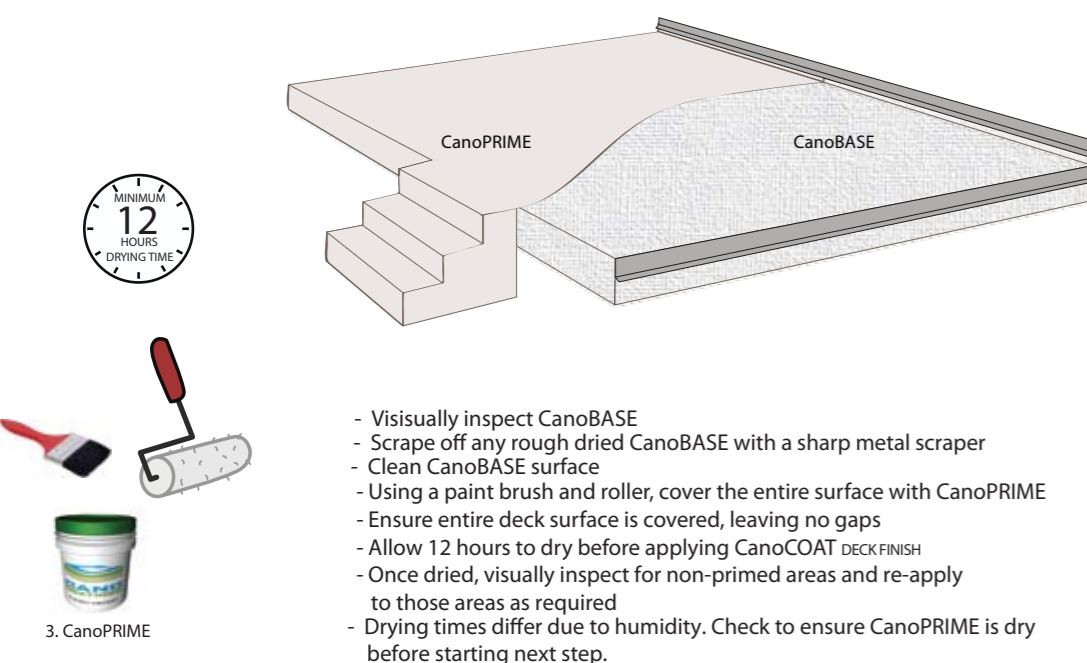
- Apply all flashings except for stair nosing
- While mixing, slowly add equal parts type 10 cement to CanoPREP
- **Only mix as much material as can be applied within 1 hour**
- Apply CanoPREP in conjunction with 8" detail mesh along all joints and corners, as well as on top of flashings
- Add up to 1 cup of water/pail to improve workability of CanoPREP if necessary
- Always overlap sections of mesh by a minimum of 2"
- Cut mesh to overlap at ends. When covering stairs or corners first apply CanoPREP and mesh to top surface, then allow to dry before folding mesh down over the vertical face and covering with CanoPREP
- Ensure mesh is fully embedded in CanoPREP
- CanoPREP must be applied to the thickness of the mesh
- Allow 24 hours to dry before applying CanoBASE Rubber Basecoat

## CanoBASE Installation 5



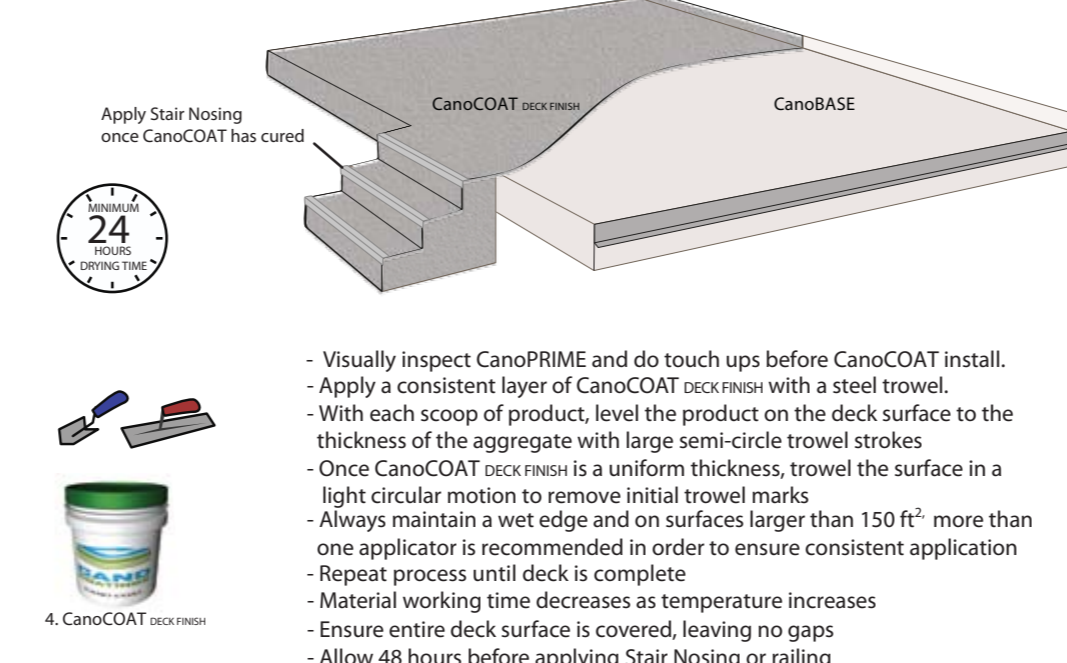
- Visually inspect CanoPREP
- Scrape off any rough cured CanoPREP with a sharp metal scraper
- Plan the 38" standard mesh layout to cover entire surface, including 2" overlap at mesh edges
- CanoBASE is pre-mixed (stir for 30 seconds prior to use)
- Apply CanoBASE with a steel trowel over mesh
- Ensure mesh is fully embedded in CanoBASE
- CanoBASE must be applied to the thickness of the mesh (Mesh pattern visible)
- Material working time decreases as temperature increases
- Ensure entire deck surface is covered, leaving no gaps
- Allow 24 hours to dry before applying CanoPRIME
- **CanoBASE has limited workability once material is troweled on. Avoid retroweling after 2 minutes.**

## CanoPRIME Installation 6



- Visually inspect CanoBASE
- Scrape off any rough dried CanoBASE with a sharp metal scraper
- Clean CanoBASE surface
- Using a paint brush and roller, cover the entire surface with CanoPRIME
- Ensure entire deck surface is covered, leaving no gaps
- Allow 12 hours to dry before applying CanoCOAT DECK FINISH
- Once dried, visually inspect for non-primed areas and re-apply to those areas as required
- Drying times differ due to humidity. Check to ensure CanoPRIME is dry before starting next step.

## CanoCOAT DECK FINISH Installation 7



- Visually inspect CanoPRIME and do touch ups before CanoCOAT install.
- Apply a consistent layer of CanoCOAT DECK FINISH with a steel trowel.
- With each scoop of product, level the product on the deck surface to the thickness of the aggregate with large semi-circle trowel strokes
- Once CanoCOAT DECK FINISH is a uniform thickness, trowel the surface in a light circular motion to remove initial trowel marks
- Always maintain a wet edge and on surfaces larger than 150 ft<sup>2</sup> more than one applicator is recommended in order to ensure consistent application
- Repeat process until deck is complete
- Material working time decreases as temperature increases
- Ensure entire deck surface is covered, leaving no gaps
- Allow 48 hours before applying Stair Nosing or railing

## Estimating Notes 8

**MATERIAL COVERAGE:**

CanoPREP (when mixed)	~ 150 ft <sup>2</sup>
CanoBASE	~ 150 ft <sup>2</sup>
CanoPRIME	~ 120 ft <sup>2</sup>
CanoCOAT DECK FINISH	~ 125 ft <sup>2</sup>
Detail Mesh	150 linft
38" Mesh Roll	~ 475 ft <sup>2</sup>

**EXAMPLE CALCULATION:**

Surface = 10' X 20' = 200 sq. ft.  
 Perimeter & Seams: 20+20+20+20+10+10+10+10 = 120 lin. ft.  
 CanoPREP: 120 lin ft X 1' wide = 120 sq. ft. = 1 pail  
 CanoMESH 38" wide: 200 sq. ft. = 1 roll  
 Detail Mesh: 150 lin. ft. = 1 rolls  
 CanoBASE: 200 sq. ft. = 2 pails  
 CanoPRIME: 200 sq. ft. = 2 pails  
 CanoCOAT DECK FINISH: 200 sq. ft. = 2 pails